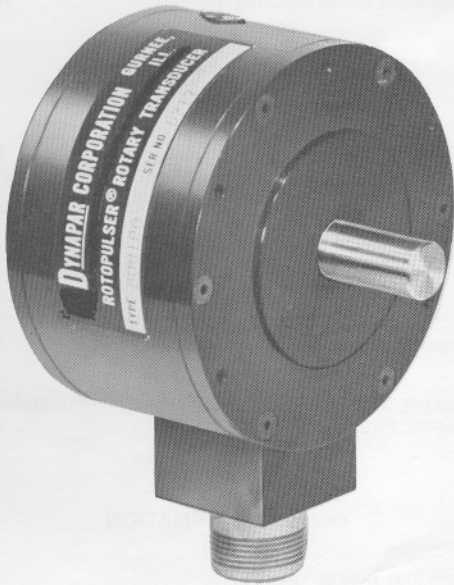


April 15, 1975

*6-12-80
fran*

PRICING DATA

UNI-DIRECTIONAL, PHOTOELECTRIC, ZERO SPEED ROTOPULSER®



This product has been discontinued.
Please contact Dynapar for assistance.
1-800-873-8731
www.dynapar.com

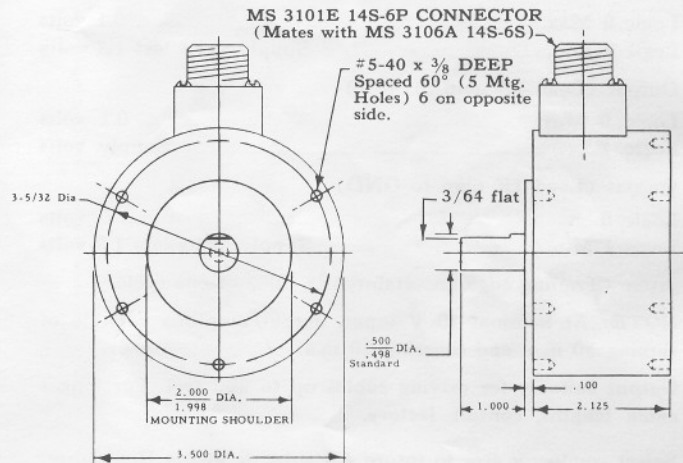
GENERAL DESCRIPTION

Dynapar Type 80 Rotopulser® is a general purpose, industrial rotary transducer used for generating pulses proportional to shaft rotation. It is suitable for applications that require a uni-directional, pulse generator that will operate over a wide range of shaft speeds including low and zero speed.

The 80D uses an incandescent light source to permit inclusion of a marker pulse. Sealed bearings and case, with M.S. connectors are used, making the units ideal for most industrial environments.

Electrical output is suitable for interfacing with most standard logic systems (DTL, TTL, & CMOS).

DIMENSIONS



MECHANICAL SPECIFICATIONS

Weight	26 oz.
Connector	MS3101E-14S-6P
Shaft Size	1/2" diameter with flat
Speed Range	0 to 4000 RPM or 40 KHZ
	Maximum frequency.
	Frequency = counts/rev. x rev./sec.
Starting Torque	Approx. 1.0 oz. in.
Operating Ambient Temperature	32°F to 130°F
Maximum Radial Load Limit	15 lbs. overhung
Maximum Axial Load Limit	5 lbs.
Load specifications include steady state and transient loads.	

STANDARD COUNTS PER REVOLUTION

1	16	44	72	130	200	288	360	425	495
2	20	45	75	150	211	290	365	430	500
3	21	48	78	155	225	300	375	435	501
4	22	50	79	157	240	311	377	438	519
5	23	51	90	160	245	315	382	450	525
6	24	54	96	164	248	324	384	460	540
8	25	59	100	165	250	325	390	461	550
10	28	60	105	180	256	328	394	465	561
11	32	63	110	191	260	336	400	466	576
12	36	66	120	192	261	349	412	471	589
15	40	67	125	196	262	350	414	480	600

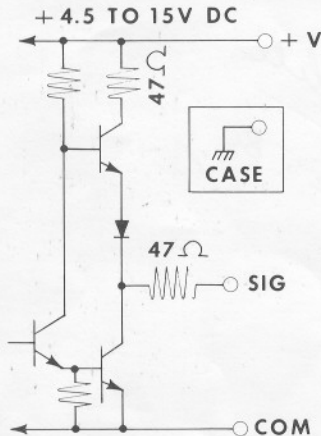


April 15, 1975

ELECTRICAL SPECIFICATIONS

Input Requirements

Voltage +4.5 to 15 volts filtered DC
 Current 160 to 250 m.a. dependent upon supply voltage
 320 m.a. typ. with marker pulse (80D)

TYPICAL OUTPUT
CIRCUIT

Output (No Load)

Logic 0 Max. 0.1 volts
 Logic 1 Min. Supply volts less 1.3 volts

Output (Load 1K ohm to + V)

Logic 0 Max. 0.1 volts
 Logic 1 Supply volts

Output (Load 1K ohm to GND)

Logic 0 0 volts
 Logic 1 Min. Supply Volts less 1.8 volts

Jitter (Trailing edge uncertainty) $\pm 10\%$ of one cycle.

NOTE: At nominal 10 V input, output amplifier capable of sinking 50 m.a. and sourcing 20 m.a.

Output suitable for driving cables up to 200 feet. For longer cable lengths, consult factory.

Select conductor size to insure 4.5 volts dc at the Rotopulser.

PRICES

Standard Count 1-600 \$290.00 net
 Special Count (additional) 80.00 net
 Hand-Held Unit 80HDA with
 Provision for Two Measuring Wheels 380.00 net

OPTIONS

Marker Pulse (or dual resolution) 80.00 net
 Available on 80D (incandescent light sources)
 No Flat on Shaft 10.00 net
 Double Ended Shaft 25.00 net
 Long Shaft 1.5" 30.00 net
 Keyway 10.00 net
 Oil & Moisture Shaft Seals 15.00 net
 Low Torque Bearing with 1/4" Shaft 60.00 net

For measuring wheels, connectors, and extension cables, etc. . . .
 See Accessory Page, Sec. 845.

ORDER INFORMATION

When ordering, please specify:

1. Type - 80
2. Series - D
3. Number of counts/rev. _____
4. List of options.