

SERIES R56

NorthStar™ brand

Heavy Duty Resolver

Key Features

- Harowe Resolver in NorthStar Housing
- Large Outer Bearings Isolate Shaft Loads
- Foot Mount or 56 C-Face Mount
- Excellent Zero-Speed Output
- Suitable Replacement for the Reliance Automax Resolvers 800123-R, 800123-S, 800123-1R and 800123-1S*



SPECIFICATIONS

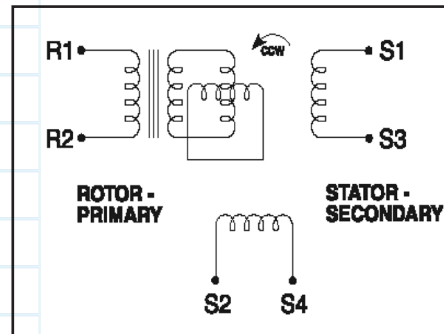
STANDARD OPERATING CHARACTERISTICS

ELECTRICAL	One Speed Winding	Two Speed Winding
Sensing Method	Sine/Cosine	Sine/Cosine
Electrical Cycles	1	2
Excitation	26 ±5% Vrms 2.4 kHz	26 ±5% Vrms 2.4 kHz
Input Current	22 Max mA Arms	45 Max mA Arms
Null Voltage	25 Max mVrms	25 Max mVrms
Position Error	±10 ArcMin	10 ArcMin Max
DC Resistance (R1-R2)	255 Ohms ±15%	190 Ohms ±15%
DC Resistance (S1-S3 and S2-S4)	176 Ohms ±15%	322 Ohms ±15%
Transformation Ratio	0.454 ±10%	0.454 ±10%
Phase Shift	6 degrees	18 degrees
Dielectric Strength to Case	500 VAC w/2 Max mA Arms	500 VAC w/2 Max mA Arms
Dielectric Strength to Phase to Phase	250 VAC w/2 Max mA Arms	250 VAC w/2 Max mA Arms

ELECTRICAL CONNECTIONS

Signal	Pin
R1 – Rotor Hi	1
R2 – Rotor Lo	2
S1 – Cos Hi	3
S3 – Cos Lo	4
S2 – Sin Hi	5
S4 – Sin Lo	6

SCHEMATIC



MECHANICAL

Shaft Size: 5/8" stainless steel, 56 C-Face NEMA style; single or dual shaft
Shaft Loading: 100 lbs. radial, 50 lbs. axial
Shaft Speed: 3600 RPM max.
Mounting: Foot mount; NEMA 56C face mount
Connector: Industrial 10pin latching connector
Housing and Cover: Aluminum
Shaft Material: Stainless Steel
Weight: 11 lbs. max.

ENVIRONMENTAL

Operating Temperature: -40 to +120°C
Storage Temperature: -40 to +130°C
Shock: 50 G's for 11 milliseconds duration
Vibration: 5 to 2000 Hz at 10 G's
Humidity: Up to 98% (non-condensing)
Enclosure Rating: IP65 (dust proof, washdown)

*Reliance and Automax are trademarks™ or registered® trademarks of their respective holders. Use of them does not imply any affiliation with or endorsement.

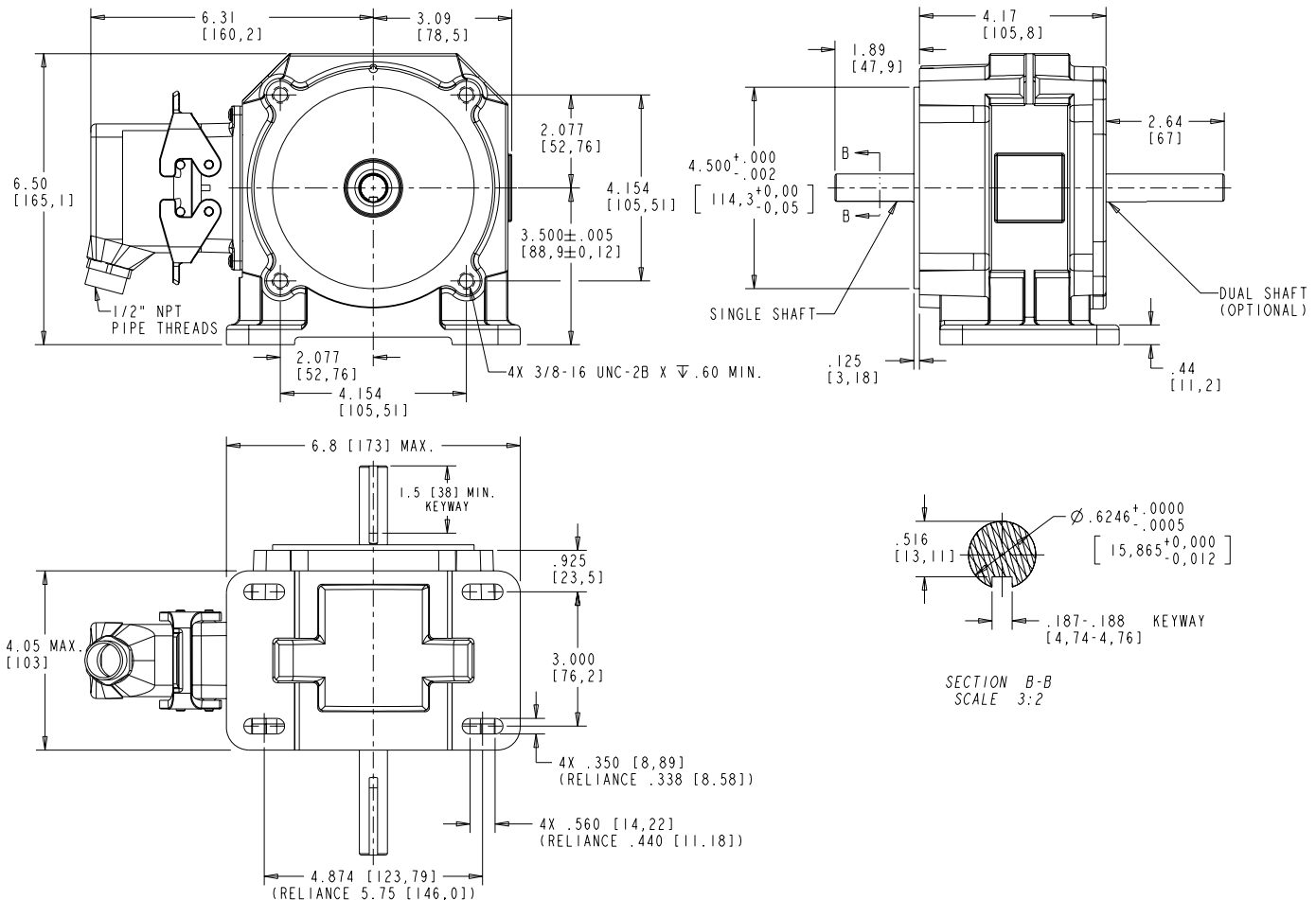
Ordering Information

To order, complete the model number with code numbers from the table below:

Code 1: Model	Code 2: Resolver Speed	Code 3: Shaft	Code 4: Termination
R56	—	□	□
Ordering Information			
R56 Foot Mount or NEMA 56C Face Mount Resolver	1	S Single, 5/8"	L Latching Industrial Connector
	2	D Dual Shaft, 5/8"	

DIMENSIONS inches [mm]

Tolerances: XXX ±0.010; XX ±0.02



Worldwide Brands: NorthStar™ • Acuro™ • Dynapar™ • Hengstler™ • Harowe™

DYNAPAR™
INNOVATION - CUSTOMIZATION - DELIVERY

WWW.DYNAPAR.COM

Headquarters: 1675 Delany Road • Gurnee, IL 60031-1282 • USA

Customer Service:
Tel.: +1.800.873.8731
Fax: +1.847.662.4150
custserv@dynapar.com

Technical Support
Tel.: +1.800.234.8731
Fax: +1.847.662.4150
northstar.techsupport@dynapar.com

European Sales Representative
Hengstler GmbH
Umlandstrasse 49, 78554 Aldingen
Germany
www.hengstler.com