

NEX GEN RIM TACH WHEELS

NorthStar™ brand

Replacement Pulse Wheel For NexGen RIM Tach RT8 and RIM Tach RT1 Models

Key Features

- NexGen RIM Tach sensor module and wheel are reverse compatible with previous generations RIM Tach series.
- “Best in Class” Durable Replacement Wheel Options
- Non-marring Clamping System
- Eliminates Shaft Damage
- Easy Configurations



SPECIFICATIONS

STANDARD OPERATING CHARACTERISTICS

Code: Incremental, Magnetic
Pulses per Revolution: 60 to 2400 PPR
Phasing Sense: A leads B for Counter-Clockwise rotation (CCW) viewing male C-face end

MECHANICAL


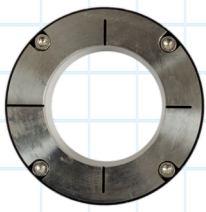
Radial Air Gap:
1200 PPR or lower:
 0.075", +0.015" / -0.070"
Above 1200 PPR:
 0.050", +0.015" / -0.040"

NexGen RIM Tach 8500
Bore Sizes: 5/8" to 2-7/8"
Shaft Speed: 7,000 RPM
Acceleration Rate: 3600 rpm/sec max
Shaft Length Required: 2.5" min
Allowable Shaft End-Play: ± 0.050"
Allowable Shaft Runout: 0.003" TIR

NexGen RIM Tach 1250
Bore Size: 0.625" to 2.875"
Shaft Speed: 7,000 RPM, max.
Acceleration Rate: 3600 rpm/sec max
Shaft Length Required: 2.88" min
Allowable Shaft End-Play: ±0.150"
Allowable Shaft Runout: 0.005" TIR

NORTHSTAR PULSE WHEEL STYLES

Photographs are representative of each wheel style.

	
F Wheel	V Wheel
Inside Diameter: 1.125" - 2.875"	Inside Diameter: 0.625" - 2.875"

Series RT8 & RT1 Pulse Wheels

Code 1: NorthStar	Code 2: PPR	Code 3: Index	Code 4: Bore Size	Code 5: Part Description
NSRT	<input type="checkbox"/> <input type="checkbox"/> <input type="checkbox"/> <input type="checkbox"/>	<input type="checkbox"/>	<input type="checkbox"/>	WHL
Ordering Information				
NSRT Northstar NexGen RT8 & RT1 Series Spare Wheel	Used On Resolutions 0480	L No Index signal Z Index Signal Output	V04 0.625" V05 0.875" V06 1.000" V07 1.125" V08 1.250" V09 1.375" V10 1.500" V11 1.625" V12 1.750" V13 1.875" V14 2.000" V15 2.125" V16 2.250" V17 2.375" V18 2.500" V19 2.875" V20 2.625"	WHL
	0512		End of Shaft F01 1.125" EOS F06 2.125" EOS F08 2.375" EOS F10 2.875" EOS F44 (4400 series motors) F47 (4700 series motors) F60 (6000 series motors) F68 (6800 series motors)	
	0600			

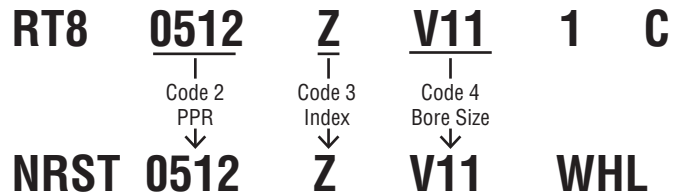
HOW TO CONFIGURE

When configuring a NexGen RIM Tach Series Pulse Wheel (RT8 or RT1), please review the appropriate family data sheet and use the following methodology: Use "NSRT" followed by Code 2 (PPR) & Code 3 (Index) & Code 4 (Bore Size) & add "WHL" to the end.

CONFIGURATION EXAMPLE 1

NexGen RIM Tach 8500 (RT8) Part Number: RT80512ZV111C

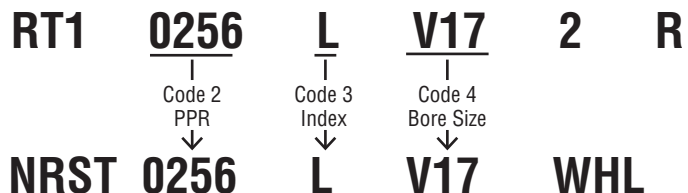
Example Spare Wheel: NSRT0512ZV11WHL



CONFIGURATION EXAMPLE 2

NexGen RIM Tach 1250 (RT1) Part Number: RT10256LV172R

Example Spare Wheel: NRST0256LV17WHL



Series RT8 & RT1 Magnetic Ring

Code 1: Model	Code 2: Resolution	Code 3: Index	Code 4: Part Description
NSRT	<input type="checkbox"/> <input type="checkbox"/> <input type="checkbox"/> <input type="checkbox"/>	<input type="checkbox"/>	MAGRING
Ordering Information			
NSRT Northstar NexGen RT8 & Small Bore (Up to 2.875") RT1 Spare Magnetic Ring	Ordering Code: 0480 0512 0600	Used On Resolutions: 60, 120, 240, 480, 960, 1920 64, 128, 256, 512, 1024, 2048 75, 150, 300, 600, 1200, 2400	L No Index signal Z Index Signal Output MagRing

HOW TO CONFIGURE

Use "NSRT" followed by Code 2 (PPR) & Code 3 (Index) & add "MAGRING" to the end.
 NexGen RIM Tach 8500 (RT8) Part Number: RT80512ZV111C
 Example Spare Wheel: NSRT0512ZMAGRING

Series RT8 & RT1 Spare Shaft Adapter

Code 1: Model	Code 2: Bore Size	Code 3: Part Description
NSRT	<input type="checkbox"/> <input type="checkbox"/> <input type="checkbox"/>	HUB
Ordering Information		
NSRT Northstar NexGen RT8 & Small Bore RT1 (Up to 2.875") Spare Shaft Adapter	V04 0.625" V05 0.875" V06 1.000" V07 1.125" V08 1.250" V09 1.375" V10 1.500" V11 1.625" V12 1.750" V13 1.875" V14 2.000" V15 2.125" V16 2.250"	V17 2.375" V18 2.500" V19 2.875" V20 2.625" End of Shaft F01 1.125" EOS F06 2.125" EOS F08 2.375" EOS F10 2.875" EOS F60 (6000 series motors)

HOW TO CONFIGURE

Use "NSRT" followed by Code 4 (Bore Size) & add "HUB" to the end.
 NexGen RIM Tach 8500 (RT8) Part Number: RT80512ZV111C
 Example Spare Wheel: NSRTV11HUB



DYNAPAR™
 INNOVATION - CUSTOMIZATION - DELIVERY
WWW.DYNAPAR.COM

Headquarters: 1675 Delany Road • Gurnee, IL 60031-1282 • USA

Customer Service:
 Tel.: +1.800.873.8731
 Fax: +1.847.662.4150
custserv@dynapar.com

Technical Support
 Tel.: +1.800.234.8731
 Fax: +1.847.662.4150
northstar.techsupport@dynapar.com

European Sales Representative
 Hengstler GmbH
 Uhlandstrasse 49, 78554 Aldingen
 Germany
www.hengstler.com