

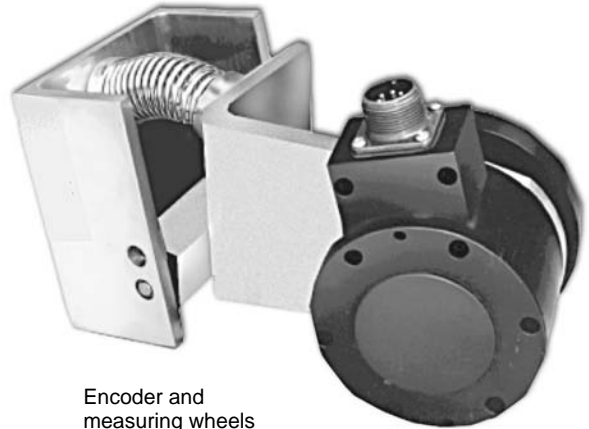
PIVOT MOUNT

Dynapar™ brand

Pivot Mounting Bracket

Key Features

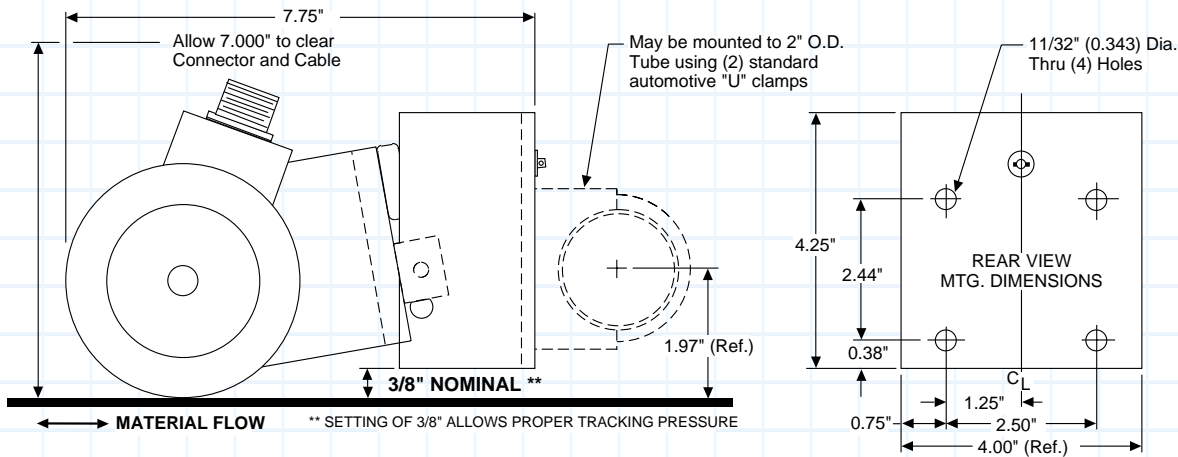
- Complete Pre-assembled Mounting System with Hardware Included
- Single or Dual Wheel uses Same Mount
- Easy Machine Attachment
- Built-in Spring Tension for Accurate Tracking



Encoder and measuring wheels not included

SPECIFICATIONS

DIMENSIONS



COMPATIBLE ENCODERS

The mounting bracket may be used with the listed series encoders having the specified mounting configurations.

Encoder Series	Mounting Configuration
60A	All
60C	All
H42	2.5" Flange
H25	2.5" Flange
H25	2.5" Servo
HA725	2.5" Flange

ORDERING INFORMATION

Model No.	Description
14005740000	Pivot Mounting Base



DYNAPAR™
INNOVATION - CUSTOMIZATION - DELIVERY

Worldwide Brands: NorthStar™ • Acuro™ • Dynapar™ • Hengstler™ • Harowe™

Headquarters: 1675 Delany Road • Gurnee, IL 60031-1282 • USA • Phone: 1.847.662.2666 • Fax: 1.847.662.6633

Satellite Locations:

- **North America:** North Carolina, South Carolina, Connecticut, Massachusetts, New York, Canada, British Virgin Islands
- **West Indies:** St. Kitts • **Europe:** United Kingdom, Italy, France, Germany, Spain, Slovakia
- **South America:** Brazil • **Asia:** China, Japan, Korea, Singapore

Customer Service:

Tel.: +1.800.873.8731
Fax: +1.847.662.4150
custserv@dynapar.com

Technical Support

Tel.: +1.800.234.8731
Fax: +1.847.782.5277
dynapar.techsupport@dynapar.com
northstar.techsupport@dynapar.com