

NexGen RIM Tach HT85 *NorthStar™ brand*

Hollow Shaft Encoder

Key Features

- **Hollowshaft Design Mounts Easily to Large Motor Shafts, up to 4.50" in Diameter**
- **New Sensor Provides up to 0.075" of Air Gap, Over 50% More Than Competitive Models**
- **Expanded Resolution up to 2400PPR**
- **Redesigned Circuitry for On-Board Diagnostics with LED and Alarm Output**
- **Multiple Bore Sizes Available, Including Tapered Shafts**
- **Stainless Steel and Ductile Cast Iron Construction**

HD
Heavy Duty



SPECIFICATIONS

STANDARD OPERATING CHARACTERISTICS

Code: Incremental, Magnetic
Pulses per Revolution: 60-2400 PPR
Phasing Sense: A leads B for Counter-Clockwise rotation (CCW) viewing encoder-mounted end
Quadrature Phasing: 90° ± 45°
Symmetry: 50% ± 15%
Number of Output Modules: Single or Dual

ELECTRICAL

Input Power Requirements: 5-26VDC, 95mA typical per sensor module, plus line driver load
Output Signals: IC-WE Differential Line Driver: 150mA, sink or source
Frequency Response: 0 - 180kHz Data & Index
Noise Immunity: Tested to EN61326-1
Electrical Immunity: Reverse polarity and short circuit protected
Connector: 10 pin industrial duty latching, sealed NEMA 4 & 12, IP65. Optional MS3102 10 pin, Pigtail Cable, or Latching connector on cable extension

MECHANICAL

Bore Diameter: 1" to 4-1/2", straight or tapered bore
Mounting Configuration: Hollow Shaft mount with Anti-Rotation Tether
Shaft Speed: 3,600 RPM
Shaft Length Required: 2.5" min
Acceleration Rate: 3,600 rpm/sec max
Allowable Shaft End-Play: 0.25" (Subject to RPM Limitation)
Allowable Shaft Runout: 0.010" TIR (Subject to RPM Limitation)
Housing Material: Cast Iron/Stainless Steel
Weight: 30 lbs

ELECTRICAL CONNECTIONS

Signal	Connector Pin	Pigtail Cable	MS 3102E18-IT#
Common	1	Black	A
B	2	Green	E
A	3	Blue	D
Z *	4	Violet	C
Alarm †	5	—	F
Vcc +	6	Red	B
B̄	7	Yellow	H
Ā	8	Gray	G
Z̄ *	9	Orange	I
Shield	10	Braid	J

* Index (Z) optional. See Ordering Information

† Alarm not available with Pigtail cable. See Ordering Information

ENVIRONMENTAL

Operating Temperature Range: -40°C to +85°C
Storage Temperature Range: -40°C to +120°C
Shock (Sensor Module): 30 G's Min
Vibration: 18 G's @ 5-2000 Hz spectrum
Humidity: Up to 98% (non-condensing)

NorthStar™ brand NexGen RIM Tach HT85

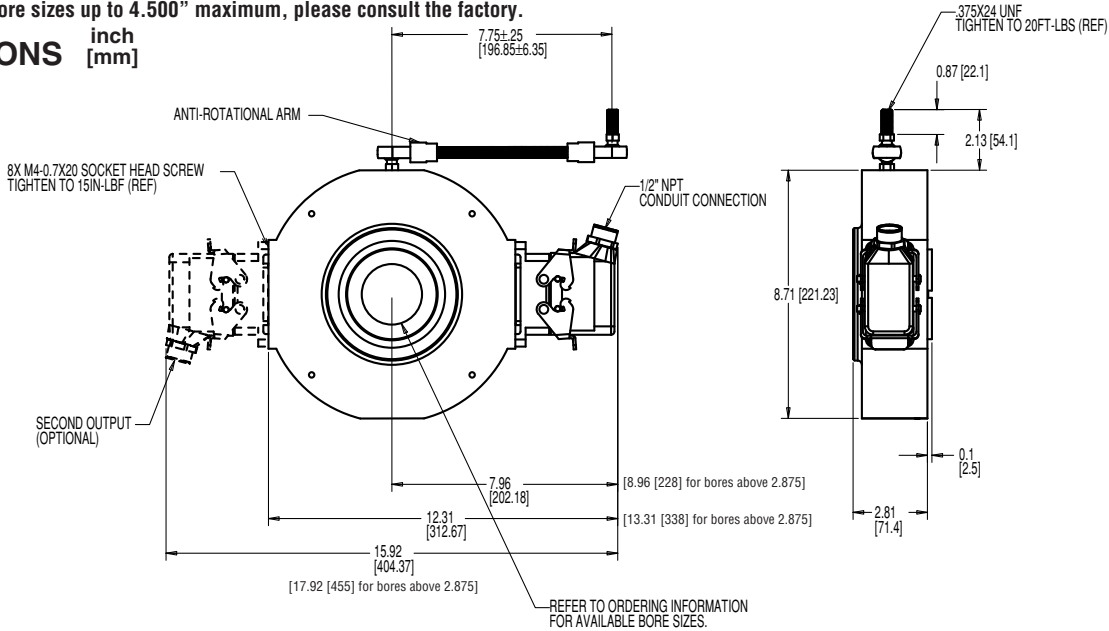
Ordering Information

To order, complete the model number with code numbers from the table below:

Code 1: Model	Code 2: PPR	Code 3: Index	Code 4: Wheel Bore	Code 5: Electrical	Code 6: Termination
HT8	□□□□	□	□□□	□	□
Ordering Information					
HT8 Hollow Shaft	0060 0480 0120 0960 0240 1920 Available with bore sizes up to 2.875"	L No Index Z With Index Signal Output	Thru-bores T01 1-1/8" M25 25 mm T02 1-3/8" M40 40 mm T03 1-5/8" M48 48 mm T04 1-7/8" M55 55 mm T05 2.00" M65 65 mm T06 2-1/8" M70 70 mm T07 2-1/4" T08 2-3/8" T09 2-1/2" T10 2-7/8"	1 5-26VDC in, 5-26VDC Line Driver out (IC-WE), Single output 2 5-26VDC in, 5-26VDC Line Driver out (IC-WE), Dual output	C Latching Industrial Connector with 1/2" NPT M 10 pin MS Connector P 18" Pigtail Q Latching Industrial Connector on 18" Cable
	0075 0600 0150 1200 0300 2400 Available with bore sizes up to 3.875"		Bores with 1.25" per foot taper P01 1-1/8" P02 1-3/8" P03 1-5/8" P04 1-7/8" P05 2.00" P06 2-1/8" P07 2-1/4" P08 2-3/8" P09 2-1/2" P10 2-7/8"		
	0064 0512 0128 1024 0256 2048 Available with bore sizes up to 4.500"		For additional bore sizes up to 4.5" maximum, please consult factory.		

Note: See ACCESSORIES Section for Connectors and Spare Parts
For additional bore sizes up to 4.500" maximum, please consult the factory.

DIMENSIONS



DYNAPAR™
INNOVATION - CUSTOMIZATION - DELIVERY

WWW.DYNAPAR.COM

Headquarters: 1675 Delany Road • Gurnee, IL 60031-1282 • USA

Customer Service:
Tel.: +1.800.873.8731
Fax: +1.847.662.4150
custserv@dynapar.com

Technical Support
Tel.: +1.800.234.8731
Fax: +1.847.662.4150
northstar.techsupport@dynapar.com

European Sales Representative
Hengstler GmbH
Uhlandstrasse 49, 78554 Aldingen
Germany
www.hengstler.com

NorthStar™ brand is a trademark of DYNAPAR. All rights reserved.
Specifications subject to change without notice.
Document No. 703284-0002 Rev. A ©2020 DYNAPAR