

SERIES HS60

NorthStar™ brand

Hollowshaft Encoder

Key Features

- Industry-Leading 2-7/8" Hollowshaft Capability
- Multi-Stage Sealing for Wash-Down Applications
- Stainless Steel Shaft for Corrosion Resistance
- Dual-Split Clamping Collar for Positive Shaft Engagement
- Oversized Bearings for Long Service Life
- Magnetic Sensor Technology and Encapsulated Electronics Resist Moisture and Contamination

This product has been discontinued and replaced by the HT55 series. Please visit www.dynapar.com for more information

HD
Heavy Duty

CE
EN 61326-1

RoHS



SPECIFICATIONS

STANDARD OPERATING CHARACTERISTICS

Code: Incremental, Magnetic
Pulses per Revolution: 64-1024 PPR
Phasing Sense: A leads B for Counter-Clockwise rotation (CCW) viewing encoder-mounted end
Quadrature Phasing: 90° ± 22°
Symmetry: 180° ± 54°
Index: Once per revolution
Number of Output Modules: Single or Dual

ELECTRICAL

Input Voltage Requirement: 5-15 or 5-26 Volts DC
Current Requirement:
 With Electrical Option L: 45 mA typical per sensor module plus line driver load
 With Electrical Option V or 5: 65 mA typical per sensor module plus line driver load
Output Signals:
 4428 Differential Line Driver: 150mA, sink or source
 IC-WE Differential Line Driver: 150mA, sink or source
Frequency Response: 0 - 120kHz Data & Index
Noise Immunity: Tested to EN61326-1
Electrical Immunity: Reverse polarity and short circuit protected
Connector: 10 pin industrial duty latching, sealed NEMA 4 & 12, IP65; MS connector or pig-tail

MECHANICAL

Bore Diameter: 1-1/8" to 2-7/8"
Mounting Configuration: Hollow Shaft mount with Anti-Rotation Tether
Shaft Speed: Labyrinth Shaft Seal: 3,600 RPM; V-Ring Shaft Seal: 1,000 RPM
Shaft Length Required: 2.36" min
Acceleration Rate: 3,600 rpm/sec max
Allowable Shaft End-Play: ± 0.150" (tether limit)
Allowable Shaft Runout: 0.015" TIR typical (rpm dependent)
Housing Material: Hard Anodized Aluminum W/Stainless Steel Hub
Weight: 14.7 lbs

ENVIRONMENTAL

Operating Temperature Range: -20°C to +80°C
Storage Temperature Range: -40°C to +120°C
Shock (Sensor Module): 30 G's Min
Vibration: 18 G's @ 5-2000 Hz spectrum
Humidity: Up to 98% (non-condensing)

ELECTRICAL CONNECTIONS

Signal	Connector Pin	Pigtail Cable	MS 3102E18-IT#
Common	1	Black	F
B	2	Green	B
A	3	Blue	A
Z *	4	Violet	C
No Connection	5	—	E
Vcc +	6	Red	D
B	7	Yellow	I
A	8	Gray	H
Z *	9	Orange	J
Shield	10	Braid	G

* Index (Z) optional. See Ordering Information

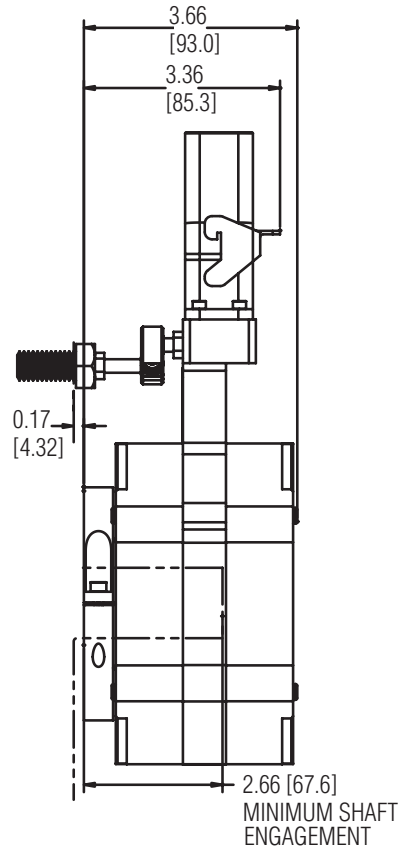
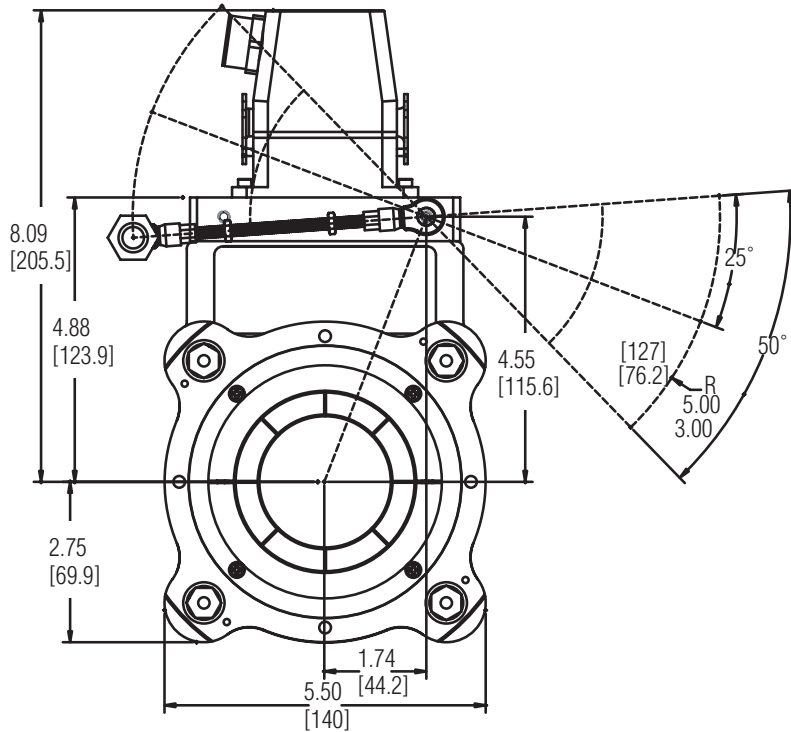
Ordering Information

To order, complete the model number with code numbers from the table below:

Code 1: Model	Code 2: PPR	Code 3: Index	Code 4: Wheel Bore	Code 5: Termination	Code 6: Electrical	Code 7: Seal	
<input type="checkbox"/> 6	<input type="checkbox"/> <input type="checkbox"/> <input type="checkbox"/> <input type="checkbox"/>	<input type="checkbox"/>	<input type="checkbox"/> <input type="checkbox"/> <input type="checkbox"/>	<input type="checkbox"/>	<input type="checkbox"/>	<input type="checkbox"/>	
Ordering Information							
H6 HS60 Hollowshaft, Single Output	0064	L No index Available When Code 2 is 0512 or 1024	T01 1-1/8"	M45 45 mm	C Latching Industrial Connector with 1/2" NPT	L 5-15VDC In, 5-15V Line Driver (4428) Out	L Labyrinth seal V V-ring seal
	0128		T02 1-3/8"	M50 50 mm			
D6 Hollowshaft, Dual Output	0256	G With Gated, Differ- ential Index	T03 1-5/8"	M55 55 mm	M 10 Pin MS Connector	5 5-15VDC In, 5V Line Driver (4428) Out	
	0512		T04 1-7/8"				
	1024	Z With Differential Index	T05 2.00"		Q Latching Industrial Connector on 18" Pigtail Cable		
			T06 2-1/8"			R Latching Industrial Connector on 18" Pigtail Cable without Mating Connector	
		T07 2-1/4"					
		T08 2-3/8"					
		T09 2-1/2"					
		T10 2-7/8"					
			Additional Bore Sizes Available, Please Consult Factory				

Note: See ACCESSORIES Section For Connectors, Spare Parts and Pulse Wheels

DIMENSIONS inch
[mm]



Worldwide Brands: NorthStar™ • Dynapar™ • Hengstler™ • Harowe™

DYNAPAR™
INNOVATION - CUSTOMIZATION - DELIVERY
WWW.DYNAPAR.COM

Headquarters: 1675 Delany Road • Gurnee, IL 60031-1282 • USA

Customer Service:
Tel.: +1.800.873.8731
Fax: +1.847.662.4150
custserv@dynapar.com

Technical Support
Tel.: +1.800.234.8731
Fax: +1.847.662.4150
northstar.techsupport@dynapar.com

European Sales Representative
Hengstler GmbH
Uhlandstrasse 49, 78554 Aldingen
Germany
www.hengstler.com

NorthStar™ brand is a trademark of DYNAPAR. All rights reserved.
Specifications subject to change without notice.
Document No. 702908-0002, Rev. C ©2017 DYNAPAR