

SERIES HDN58

NorthStar™ brand

Shaft-Less Encoder

Key Features

- Incremental, Analog & Absolute Outputs Available
- Non-Contact Magnetic Sensing
- Sealed & Encapsulated Electronics
- Wide Sensing Envelope Tolerant to Misalignment



SPECIFICATIONS

STANDARD OPERATING CHARACTERISTICS

Resolution (Incremental): 1 to 512 quadrature pulses per revolution

Resolution (SSI Binary Absolute): 13 Bits

Resolution (J1939 CAN): 13 Bits

@ 1000 positions per rotation

Resolution (Analog): See Config Table

ELECTRICAL

Input Power: Quadrature Output Type:
6-32VDC, 60mA max not including output load

Analog Voltage & Current Output Type:

5VDC/6-32VDC or 12-32VDC

J1939 CAN & SSI Output Type:

6-32VDC

Outputs: 7272 Differential Line Driver: 40mA
sink or source

Analog Voltage: 0.5-4.5VDC

Analog Current: 4-20mA

SSI Binary

J1939 CAN (250KB/s Baud): Optional

Addressing via varying value resistor connection

Electrical Protection: Overvoltage, Reverse

Polarity, Output Short Circuit Protected

Connections: M12, M12 on Pigtail, Flying Lead

Cable, 5-Pin Terminal Strip

LED Indicators: Power and Output Channels

MECHANICAL

Housing Diameter: 58mm (2.28")

Housing Height (not including connection):

19mm (0.75")

Housing Material: Black Delrin

Weight: 2.6 oz

Target Magnet Type: Neodymium

Sensor-Target Magnet Ratings:

Air Gap (w/1/4-20 Magnet): 0.01" to 0.50"

Center Alignment (w/ 1/4-20 Magnet): 0.1" max.

Rated Planar Tilt: 30 degrees

Maximum Speed: 3000 RPM

ENVIRONMENTAL

Operating Temperature: -30°C to +80°C

Storage temperature: -40°C to +90°C

Shock: 400g, 4000 m/s² (6ms)

Vibration: 20g, 200 m/s² (5 to 3000Hz)

Potting Compound: Non-Porous. Water & Chemical Resistant. ROHS Compliant

Humidity: 100%

Enclosure Rating:

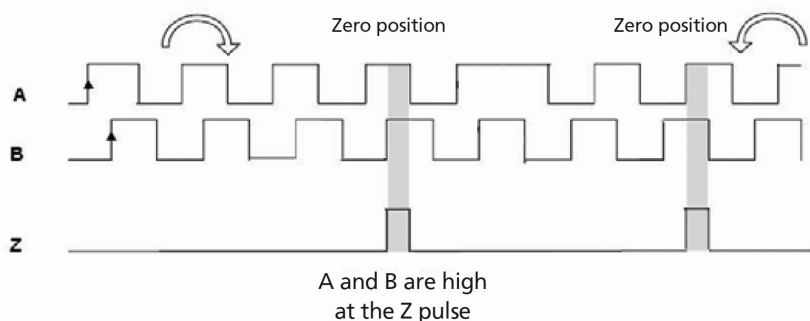
M12 - IP67

Flying Leads/Pigtail - IP69K

Terminal Strip - Connector not rated.

RoHS Compliant: YES

HDN58 Quadrature Output Format



Ordering Information

To order, complete the model number with code numbers from the table below:

Code 1: Model	Code 2: PPR	Code 3: Format	Code 4: Connection	Code 5: Target Magnet
HDN58	<input type="checkbox"/> <input type="checkbox"/> <input type="checkbox"/> <input type="checkbox"/>	<input type="checkbox"/>	<input type="checkbox"/>	<input type="checkbox"/>

Ordering Information				
HDN58	Incremental Output: Code 3 Must be 0 or 1 Enter Custom Quadrature PPR from 0001-0512 Ex: 0001 = 1 PPR 0256 = 256 PPR 0500 = 500 PPR	Code 4 must be 0, 1, 2 or 3 0 Single Ended A, B, Z Push-Pull (7272) 6-32VDC in, 6-32VDC Out Code 4 must be 4, 5, or 6 1 Differential Line Driver A, B, Z (7272) 6-32VDC in, 6-32VDC Out 2 13 Bit SSI - 8192 Counts, 6-32VDC Input	0 5 pin M12, Axial 1 5 Pin M12 on 18" Pigtail, Radial 2 5 Conductor 72" cable, Radial 3 5 Pin Terminal Strip, Axial 4 8 Pin M12, Axial 5 8 Pin M12 on 18" Pigtail, Radial 6 8 Conductor 18" cable, Radial	0 No Magnet, Customer Supplied 3 Dual Magnet Nylon Collar, 1/2" Bore 4 Dual Magnet Nylon Collar, 3/4" Bore 5 Dual Magnet Nylon Collar, 1" Bore 6 Dual Magnet Nylon Collar, 1-1/2" Bore 8 Dual Magnet Nylon Collar, 5/8" Bore R Ring Magnet w/Knurled Alumnum Bolt, 1/4-20
	Absolute Output: Code 3 must be 2, V1, V2, I1, or J ABSO	Code 2 must be ABSO and Code 4 must be 0, 1, or 2 V1 5VDC Input Voltage, 0.5 to 4.5V Output 0-360 CW V2 6-32VDC Input Voltage, 0.5 to 4.5V Output 0-360 CW I1 12-32VDC Input Voltage, 4-20mA Output 0-360 CW J CANbus J1939 Protocol, 6-32VDC Input at 1000 counts per rotation		

TARGET MAGNET ACCESSORIES

Part Number	Description
MAGH-RING	1/4-20 Knurled Magnet Bolt
MAGCOLLAR1/2	Dual Magnet Nylon Collar 1/2" Bore
MAGCOLLAR3/4	Dual Magnet Nylon Collar 3/4" Bore
MAGCOLLAR5/8	Dual Magnet Nylon Collar 5/8" Bore
MAGCOLLAR1	Dual Magnet Nylon Collar 1" Bore
MAGCOLLAR11/2	Dual Magnet Nylon Collar 1-1/2" Bore

SERIES HDN58



ELECTRICAL CONNECTIONS

Quadrature Signal Format

Function	5 Pin M12 Conn / 5 Pin M12 on Cable	5 Conductor Cable	Pin M12 Conn / 8 Pin M12 on Cable	8 Conductor Cable
	Pin	Wire Color	Pin	Wire Color
+VDC	1	BRN	2	BRN
Common	3	BLU	7	BLU
Signal A+	4	BLK	1	WHT
Signal B+	2	WHT	4	YEL
Signal Z+	5	GRY	6	PNK
Signal A-	-	-	3	GRN
Signal B-	-	-	5	GRY
Signal Z-	-	-	8	RED

Analog Signal Format

Function	5 Pin M12 Conn / 5 Pin M12 on Cable	5 Conductor Cable
	Pin	Wire Color
+VDC (Vin)	1	BRN
Common/Ground	3	BLU
Voltage (0-5VDC)	2	WHT
Current (4-20mA)	4	BLK
Common/Ground	5	GRY

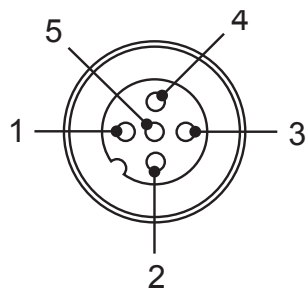
CAN J1939 Signal Format

Function	5 Pin M12 Conn / 5 Pin M12 on Cable	5 Conductor Cable
	Pin	Wire Color
+VDC (Vin)	1	BRN
Common/Ground	3	BLU
CAN HIGH	2	WHT
CAN LOW	4	BLK
ADDRESS SET	5	GRY

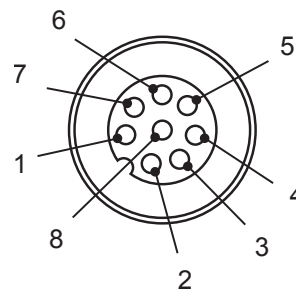
SSI Signal Format

Function	8 Pin M12 Conn / 8 Pin M12 on Cable	8 Conductor Cable
	Pin	Wire Color
+VDC	2	BRN
Common	7	BLU
SSI Data+	1	WHT
SSI Data-	3	GRN
CLK +	4	YEL
CLK -	5	GRY
0 - 10VDC (not used)	6	PNK
RESET INPUT (not used)	8	RED

CONNECTORS



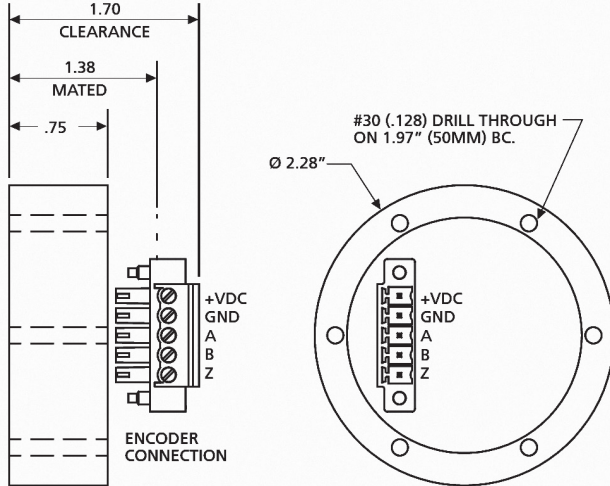
Male 5-pin M12 (Code A)



Male 8-pin M12 (Code A)

DIMENSIONS

5 Pin Terminal Strip Option



HDN58 TARGET MAGNETS

- Neodymium
- Distance from user magnet to face of encoder: up to 0.5 inches
- Center alignment: 0 to 0.10 inches
- Planar tilt: 30 degrees



(Magnet Options 3,4,5,6,8)



(Magnet Option R)

M12 and Cable Exit Options

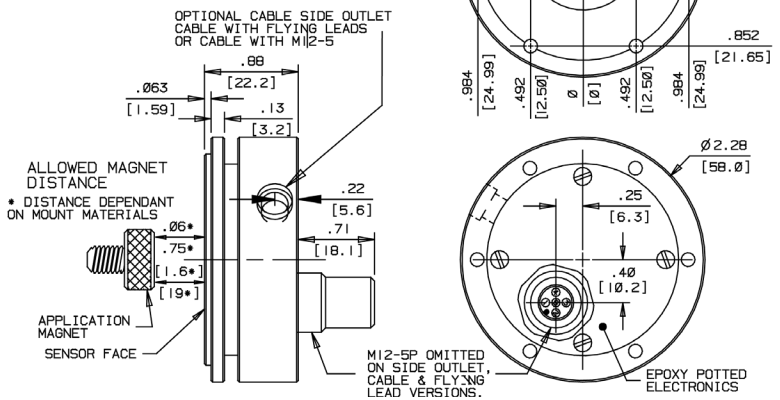
MAGNET NOTE:
STANDARD MAGNET INCLUDED AS ACCESSORY WITH PURCHASE OF NON-CONTACT SENSOR

HOUSING/INSTALL NOTES:
MAGNET MOUNT MATERIALS MUST HAVE $\varnothing 1.0$ [25.4] HOLE CENTERED ON SENSOR CENTERLINE

STANDARD MAGNET



NON-MAGNETIC MOUNT MATERIAL, MAY BE SOLID
MOUNT WITH 316 STAINLESS STEEL 4-40 SCREWS



Worldwide Brands: NorthStar™ • Dynapar™ • Hengstler™ • Harowe™
DYNAPAR™
INNOVATION - CUSTOMIZATION - DELIVERY

WWW.DYNAPAR.COM

Headquarters: 1675 Delany Road • Gurnee, IL 60031-1282 • USA

Customer Service:

Tel.: +1.800.873.8731

Fax: +1.847.662.4150

custserv@dynapar.com

Technical Support

Tel.: +1.800.234.8731

Fax: +1.847.662.4150

northstar.techsupport@dynapar.com

European Sales Representative

Hengstler GmbH

Uhlandstrasse 49, 78554 Aldingen

Germany

www.hengstler.com