

SERIES AD35

ACURO™ brand

Single Turn Absolute Encoder

Key Features

- Short Mounting Depth Allows Installation in Tight Motor Endbells
- Up to 10,000RPM Speed Capability for Majority of Servomotor Applications
- 8mm Hubshaft Mount for Easy Installation



NEW!



SPECIFICATIONS

ELECTRICAL

Supply Voltage: 5 VDC -5 %/+10 % or 10 - 30 VDC

Max. Current w/o Load: 50 mA

Resolution Singleturn: 17 Bit

Output Code: Gray

Lines/Drives: Clock and Data / RS422

Incremental signals: Sine-Cosine 1 Vpp

Number of Increments: 2,048

3dB Limiting Frequency: 500 kHz

Absolute Accuracy: ±35"

Repeatability: ±7"

Alarm Output: Alarm bit (SSI); Warning bit and alarm bit (BISS)

MECHANICAL

Housing Diameter: 37.5 mm (1.48")

Material Shaft/ Flange/ Housing: Stainless steel/ aluminum/ plastic

Shaft Diameter: 6 mm solid shaft (8 mm hub shaft optional)

Mounting: Spring Tether (Hub Shaft)

Protection Class: IP40 Housing & Shaft

Shaft Speed (maximum): 10,000 RPM (continuous), 12,000 RPM (peak)

Torque: ≤1 Ncm

Moment of Inertia: approx. 25 gcm²

Shaft Load (solid-shaft): Axial ≤5 N; Radial ≤10 N

Shaft Load (hubshaft): Spring Tether Tolerance: Axial ±0.5mm; Radial ±0.05mm

Weight: Aprox. 80g (2.8 oz.)

Connections: Cable, PCB connector, 12 pole

ENVIRONMENTAL

Vibration: 100 m/s² (10 to 500 Hz) (IEC 68-2-6)

Shock: 1,000 m/s² for 6 msec duration (IEC 68-2-27)

Operating Temperature: -15°C to +100°C

Storage temperature: -15°C to +85°C (due to packaging)

CONNECTIONS

PIN	1b	2b	3b	4b	5b	6b
Function	DC 5V / 7-30V (U _p)	Clock	B -	0 V (U _n)	A -	Data
Color	Yellow/Black	White	Red	White/Green	Yellow	Black
PIN	1a	2a	3a	4a	5a	6a
Function	Data	A +	0 V -Sen	B +	Clock	5V Sensor
Color	Violet	Green	Brown/Green	Blue	Brown	Red/Black

U_p = power Supply

Sensor is connected to Power Supply and 0 V (U_n)

Shield connected to case

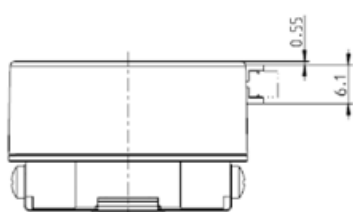
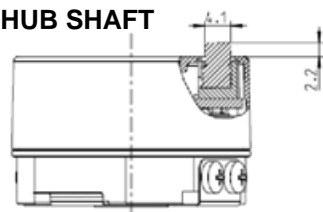
Ordering Information

To order, complete the model number with code numbers from the table below:

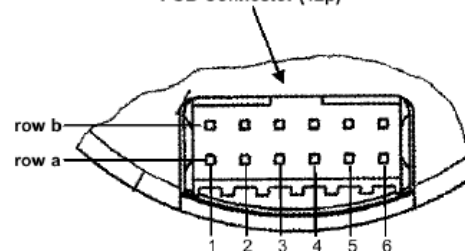
Code 1: Model	Code 2: Resolution	Code 3: Voltage	Code 4: Flange/Protection/Shaft	Code 5: Interface	Code 6: Connection
AD35	<input type="checkbox"/> <input type="checkbox"/> <input type="checkbox"/> <input type="checkbox"/>	<input type="checkbox"/>	<input type="checkbox"/> <input type="checkbox"/> <input type="checkbox"/>	<input type="checkbox"/> <input type="checkbox"/>	<input type="checkbox"/>
AD35 ACURO Absolute Encoder	0012 12 Bit ST 0013 13 Bit ST 0014 14 Bit ST 0017 17 Bit ST 0019 19 Bit ST (BiSS) 0022 22 Bit ST (BiSS)	A 5 VDC* E 7-30 VDC * No Inverse polarity protection	F. OR Optional, Spring Tether, IP40, 8mm Hub Shaft	BI BiSS-B BC BiSS-B (+Sin Cos 1Vpp) SG SSI Gray SC SSI Gray (+Sin Cos 1Vpp) BE BiSS-C BV BiSS-B (+Sin Cos 1Vpp)	0 PCB Connector, Axial, 12 pole 2 PCB Connector, Radial, 12 pole A PCB Connector, Axial, 12 pole with Mating Connector and 0.5 m Cable B PCB Connector, Radial, 12 pole with Mating Connector and 0.5 m Cable

Dimensions (mm)

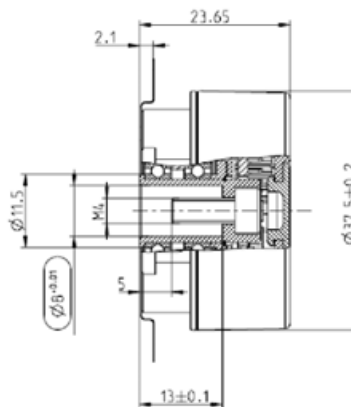
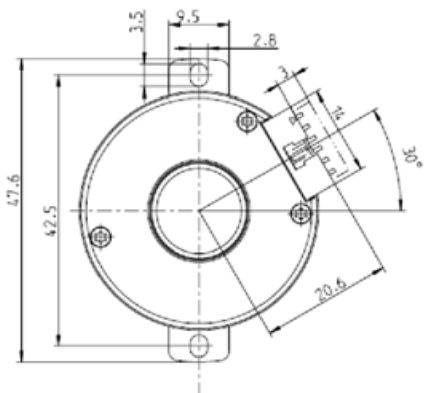
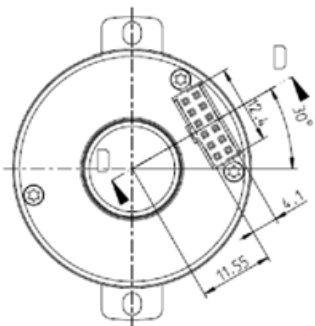
HUB SHAFT



PCB-Connector (12p)



12 pin PCB connector
 manufacture Berg, type Minitek



Worldwide Brands: NorthStar™ • Acuro™ • Dynapar™ • Hengstler™ • Harowe™

DYNAPAR™
 INNOVATION - CUSTOMIZATION - DELIVERY

WWW.DYNAPAR.COM

Headquarters: 1675 Delany Road • Gurnee, IL 60031-1282 • USA

Customer Service:

Tel.: +1.800.873.8731

Fax: +1.847.662.4150

custserv@dynapar.com

Technical Support

Tel.: +1.800.234.8731

Fax: +1.847.662.4150

northstar.techsupport@dynapar.com

European Sales Representative

Hengstler GmbH
 Uhlandstrasse 49, 78554 Aldingen
 Germany
www.hengstler.com