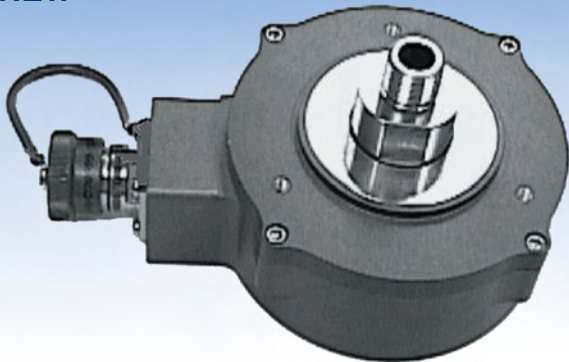


NEW



Harsh-Duty Optical Encoder - DrawWorks

DESCRIPTION

The DWD38 Harsh-Duty Optical Encoder is an Industrial Hollow Shaft design that operates reliably from -40 to +100°C. Its Hard Anodized finish exceeds IP66/IP67 and NEMA 6 enclosure requirements.

The DWD38 is a preferred choice as a DrawWorks encoder by the Oil Field industry and is also commonly used in high shock and vibration environments such as Food Processing, Material Handling and Packaging Equipment applications.

Extremely robust, the DWD38 encoder is also available in Stainless Steel to meet NEMA 4x and 6P requirements. A unique labyrinth double-sealed housing allows operation when regulatory washdown and high pressure steam or caustic chemicals are required.

It is also available in an Intrinsically Safe version, certified to ATEX EEx ia IIB T4, when used with the appropriate IS Barrier.

Series DWD38

- **Single or Dual output - NAMUR available**
- **Well suited for DrawWorks/oil field application**
- **ATEX Certification available for Intrinsically Safe application**
- **High Resolution Unbreakable Disk**
- **Industrial Duty Connector**
- **NEMA 4X / IP67 Rated**
- **Nickel or Stainless Steel Housing available**
- **Two Year Warranty**

APPLICATIONS:

The DWD38 Harsh-Duty Optical Encoder is ideal for DrawWorks application and corrosive environments that demand heavy washdown protection. This compact, special-duty encoder is designed to exceed IP66/IP67 and NEMA 6 enclosure requirements with a PPR range through 5000. ATEX certification is also available for intrinsically safe applications.

- DrawWorks and other Oilfield
- Converting Machinery
- Material Handling
- Packaging Equipment
- Pickling Equipment
- Processing Equipment

INDUSTRIES

Chemical, Food & Beverage, Oil & Gas, Paper, Steel and any other where a precise encoder is needed to operate in very harsh environments.

FEATURES/BENEFITS

Mechanical and Environmental

- Unbreakable code disk
- Flexible mounting
- Heavy duty shaft seals
- Sealed connector

Electrical

- Cast housing maximizes noise immunity and durability
- NAMUR outputs and ATEX certification available

SPECIFICATIONS*

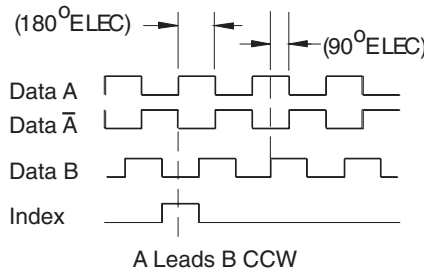
STANDARD OPERATING CHARACTERISTICS

Code: Incremental
Resolution: 1 to 5000 PPR (pulses/revolution)
Format: Two channel quadrature (AB) with optional Index (Z), and complementary outputs
Phase Sense: A leads B for CCW shaft rotation viewing the shaft clamp end of the encoder
Quadrature Phasing: For resolutions to 1200 PPR: 90° ± 15° electrical; For resolutions over 1250 PPR: 90° ± 30° electrical
Symmetry:
 For resolutions to 1024PPR: 180° ± 18° electrical
 For resolutions over 1024PPR: 180° ± 25° electrical
Waveforms: Squarewave with rise and fall times less than 1 microsecond into a load capacitance of 1000 pf

ELECTRICAL

Input Power: 5-26VDC; 50 mA max., not including output loads. ATEX: 5VDC, 5-26VDC
Outputs: 2N2222, ET7272, ET7273
Frequency Response: 125 kHz (data & index)
Termination: 6, 7, or 10 pin MS Connector; 18" cable exit w/seal
Mating Connector:
 6 pin, style MS3106A-14S-6S (MCN-N4);
 7 pin, style MS3106A-16S-1S (MCN-N5);
 10 pin, style MS3106A-18-1S (MCN-N6)

DATA AND INDEX
 Not all complements shown.
 A shown for reference



ENVIRONMENTAL

Operating Temperature: -40 to 100°C
Operating Temperature ATEX: -40 to 80°C
Storage temperature: -40 to 100°C
Shock: 50G's for 11msec duration
Vibration: 5 to 2000Hz @ 20 G's
Humidity: 100%
Enclosure Rating: NEMA 4X, NEMA 6, IP66, IP67. NEMA 6P upon request
 Note: "MS" type mating connectors and prebuilt cables are rated NEMA 12.

MECHANICAL

Shaft Material: 300 series stainless steel
Bore loading: Up to 20 lbs axial and radial
Bore runout: 0.0005 TIR at midpoint
Starting/Running torque: 4.5/4.0 in-oz. maximum (at 25°C)
Bearings: 61806-ZZ
Bearing life: 5 x 10⁸ revs at rated shaft Loading, 5 x 10¹¹ revs at 10% of rated shaft loading.(manufacturers' specs)
Housing and cover: Hard Anodized Aluminum. Also available in Electroless Nickel finish and Stainless Steel.
Disc material: Metal or mylar
Weight: 35 ounces, typical

* Specifications are for base models with standard features only unless otherwise noted. Specifications subject to change without notice in accordance with our DBS policy of continuous improvement. All product and brand names are trademarks of their respective owners. All rights reserved.

ELECTRICAL CONNECTIONS

6, 7 & 10 Pin MS Connectors and Cables

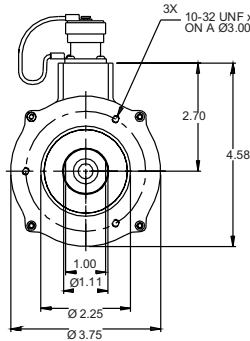
Connector & mate/accessory cable assembly pin numbers and wire color information is provided here for reference. Models with direct cable exit carry the color coding as shown in the right hand column.

Encoder Function	Cable # 108594-6 Pin Single Ended		Cable # 108595-7 Pin Single Ended		Cable # 108596-7 Pin Dif Line Drv w/o Idx		Cable # 1400635-10 Pin Dif Line Drv w/ Idx		Cable Exit with Seal
	Pin	Wire Color	Pin	Wire Color	Pin	Wire Color	Pin	Wire Color	Wire Color
Sig. A	E	BRN	A	BRN	A	BRN	A	BRN	GREEN
Sig. B	D	ORG	B	ORG	B	ORG	B	ORG	BLUE
Sig. Z	C	YEL	C	YEL	—	—	C	YEL	ORANGE
Power +V	B	RED	D	RED	D	RED	D	RED	RED
Com	A	BLK	F	BLK	F	BLK	F	BLK	BLACK
Case	—	—	G	GRN	G	GRN	G	GRN	WHITE
N/C	F	—	E	—	—	—	E	—	—
SigA	—	—	—	—	C	BRN/WHT	H	BRN/WHT	VIOLET
SigB	—	—	—	—	E	ORG/WHT	I	ORG/WHT	BROWN
SigZ	—	—	—	—	—	—	J	YEL/WHT	YELLOW

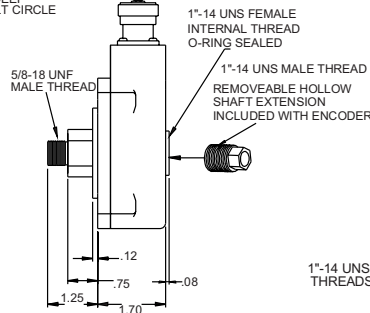
Note: "MS" type mating connectors and prebuilt cables are rated NEMA 12.

Harsh-Duty Optical Encoder... Ideal for DrawWorks Application

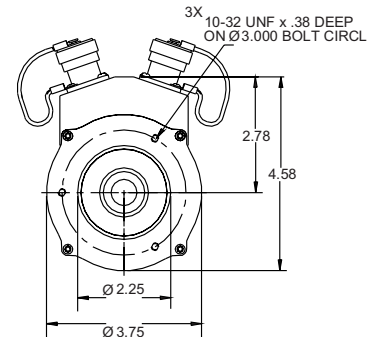
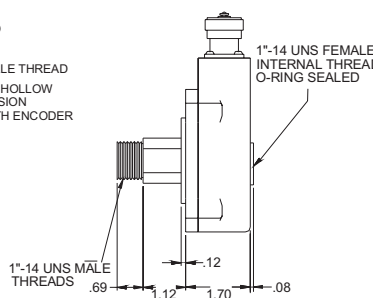
DIMENSIONS inches [mm]



With Convertable Shaft



With Non-Convertible Shaft



Redundant Version

ORDERING INFORMATION

Code 1: Model	Code 2: PPR	Code 3: Shaft	Code 4: Electrical	Code 5: Termination	Code 6: Options
DWD38 <input type="checkbox"/>	<input type="checkbox"/> <input type="checkbox"/> <input type="checkbox"/> <input type="checkbox"/>	<input type="checkbox"/>	<input type="checkbox"/>	<input type="checkbox"/>	<input type="checkbox"/>

Ordering Information

Size 38 Harsh-Duty Optical Encoder - DrawWorks 1 Unidirectional 2 Bidirectional 3 Bidirectional with Index	0015 0032 0050 0060 0100 0200 0240 0250 0500 0512 0600 1000 1024 1200 2000 2048 4000 4096 5000	0 1"-14 UNS x 5/8" - 18 UNF Threaded Shaft 1 1"-14 UNS Threaded Shaft 2 1"-14 UNS x 5/8" - 18 UNF Field Replaceable Threaded Shaft	0 5-26V in, 5-26V Open Collector out (7273) 2 5-26V in, 5-26V Push-Pull out F 5-26V in, 5-26V Open Collector out (2222) G 5-26V in, 5-26V Open Collector out with 2.2 kΩ Pullups (2222) available when: Code 2 is 0015 N NAMUR 15 mA Maximum available when: Code 1 is 1,2 and Code 5 is 3 through Z, or Code 1 is 3 and Code 5 is 5 through Z: 3 5-26V in, 5-26V Differential Line Driver out (7272) 4 5-26V in, 5V Differential Line Driver out (7272)	1 6 Pin Connector 3 7 Pin Connector 5 10 Pin Connector D 18" Sealed Cable E 3' Sealed Cable F 6' Sealed Cable G 10' Sealed Cable H 15' Sealed Cable Z 30m Sealed Cable	0 No Options 1 Nickel Finish Housing 2 Stainless Steel Housing 3 Redundant Outputs (Dual Connector Housing). See † NOTE 4 Nickel Finish Housing with Redundant Outputs. See † NOTE 5 Stainless Steel Housing with Redundant Outputs. See † NOTE A Same as "0" w/ ATEX Type 1 B Same as "1" w/ ATEX Type 1 C Same as "2" w/ ATEX Type 1 D Same as "3" w/ ATEX Type 1. See †NOTE E Same as "4" w/ ATEX Type 1. See †NOTE F Same as "5" w/ ATEX Type 1. See †NOTE Available when Code 4 is 0-3, F or G G Same as "0" w/ ATEX Type 2 H Same as "1" w/ ATEX Type 2 I Same as "2" w/ ATEX Type 2 J Same as "3" w/ ATEX Type 2. See †NOTE K Same as "4" w/ ATEX Type 2. See †NOTE L Same as "5" w/ ATEX Type 2. See †NOTE Available when Code 4 is 4 M Same as "0" w/ ATEX Type 3 N Same as "1" w/ ATEX Type 3 O Same as "2" w/ ATEX Type 3 P Same as "3" w/ ATEX Type 3. See †NOTE Q Same as "4" w/ ATEX Type 3. See †NOTE R Same as "5" w/ ATEX Type 3. See †NOTE
* Note: Available ATEX Certified Options ATEX Type 1: ATEX Certified; 5V in, 5V out only ATEX Type 2: ATEX Certified; 7-26V in, 7-26V out ATEX Type 3: ATEX Certified; 7-26V in, 5V out NOTE: When selecting ATEX models, ATEX voltages replace those shown in Code 4.				† NOTE: Simultaneous use of redundant outputs may void ATEX certification. Consult factory for details.	

Worldwide Brands:

Dynapar™

Harowe™

Hengstler™

NorthStar™



**A division of
Danaher, a
Fortune 500
company with
offices in 30
countries around
the world.**

More Available. With factories around the world, global sales and applications support, and an expansive network of distributors, we stay close to our customers - shortening lead times and fostering responsiveness. Three-day lead time is standard, with same-day shipments available on many of our products.

More Selection. We have a broad selection of controllers to meet application requirements in a variety of industries. User-configurable, accurate and flexible, with low, mid, or high level performance ranges, our controller products meet your system and budgetary requirements.

More Reliable. Our experience with more than 25,000 customers has taught us to design controllers that are reliable and durable, with quality standards that meet six sigma requirements.

For additional information or a full-line catalog, contact DICG Customer Service or visit our web site.

* Specifications are for base models with standard features only unless otherwise noted. Specifications subject to change without notice in accordance with our DBS policy of continuous improvement. All product and brand names are trademarks of their respective owners. All rights reserved.

NorthStar™ brand is a trademark of DYNAPAR. All rights reserved.

Headquarters: 1675 Delany Road • Gurnee, IL 60031-1282 • USA
Phone: +1 847.662.2666 • Fax: +1 847.662.6633

DWD38 Data Sheet (03/09) ©2009 Dynapar

Document Number: 702638-0001, Rev. a

Satellite Locations:

North America: North Carolina, South Carolina, Connecticut, Massachusetts, New York, Canada, British Virgin Islands • Europe: United Kingdom, Italy, France, Germany, Spain, Slovakia • Latin America: Brazil • Asia: China, Japan, Korea, Singapore

www.dynapar.com

Customer Service:

Tel.: +1.800.873.8731
Fax: +1.847.662.4150
custserv@dynapar.com

Technical Support

Tel.: +1.800.234.8731
Fax: +1.847.782.5277
northstar.techsupport@dynapar.com



Factory Automation Worldwide Brands: Dynapar™ • Harowe™ • Hengstler™ • NorthStar™