

TECHNICAL DATA SHEET

Absolute Encoder AD 34



- For brushless servo motors
- Light duty encoder
- Notched shaft 6 mm
- Mounting Depth: 25 mm
- Up to 17 Bit Resolution
- +120°C operating temperature
- 10.000 rpm continuous operation
- BiSS or SSI interface
- Sinewave 1 Vpp
- Bandwidth 500kHz



GENERAL INFORMATION

The AD34 is the most compact absolute encoder in class. It is available with a resolution up to 17 Bit Singleturn. The mechanical design consists of two ball bearings and a flexible torque support. The AD34 complements the ACURO-DRIVE series and is appropriate for use within BLDC servo motors with small frame sizes. The AD34 is available with a notched shaft, which saves installation time.

Notched shaft saves installation cost

Because of its innovative shaft mounting the AD34 saves work on the motor shaft. A common 6 mm bore on the motor B – side is enough. AD34's notched shaft is inserted in the B side of the motor shaft in one process step.

Fully digital control loop

The new and completely digital OptoAsic technology enables the transition to a truly digital drive system. The conventional absolute encoders still have analog sine wave signals for the feedback of speed and position data. The AD34, however, provides fully digital position data up to 17 Bit over the BiSS interface with a variable clock rate up to 10 MHz. BiSS is the only open high speed bidirectional sensor interface available on the market. Backward compatibility to most of the existing drives is realized through the variant with SSI interface together with 2048 sine –cosine periods per revolution.

Integrated diagnostic system

The AD34 has an integrated diagnostic system that controls and regulates the internal signals. Maximum motor uptime is achieved through the pre warning in case of any system error or aging effects well before they affect the function of the encoder. A code plausibility check guarantees that the output data represents always the true position. Also the operating temperature can be measured and read out with 8 Bit resolution. If programmable limits are exceeded or under run this is indicated over warn and alarm bits.

TECHNICAL DATA mechanical

Housing diameter	37.5 mm
Shaft diameter	6 mm (Notched Shaft)
Flange (Mounting of housing)	Tether
Protection class shaft input (EN 60529)	IP40
Protection class housing (EN 60529)	IP40
Max. speed	max. 10,000 U/min (continuous), max. 12,000 U/min (short term)

TECHNICAL DATA SHEET

Absolute Encoder AD 34

TECHNICAL DATA mechanical (continued)

Torque	0.01 Ncm
Moment of inertia	approx. 2.5×10^{-6} kgm ²
Vibration resistance (DIN EN 60068-2-6)	100 m/s ² (10 ... 2,000 Hz)
Shock resistance (DIN EN 60068-2-27)	1,000 m/s ² (6 ms)
Operating temperature	-15 °C ... +120 °C
Storage temperature ¹	-15 °C ... +85 °C
Weight	approx. 80 g (ST)
Connection	Cable, radial PCB connector, 12 pole

¹ due to packing

TECHNICAL DATA electrical

Supply voltage	DC 5 V -5 %/+10 % or DC 7 - 30 V
Max. current w/o load	50 mA
Resolution singleturn	12 -17 Bit
Output code	Gray
Drives	Clock and Data / RS422
Incremental signals optional	Sinus-Cosinus 1 Vpp
Number of pulses	2,048
3dB limiting frequency	500 kHz
Absolute accuracy	±35"
Repeatability	±7"
Alarm output	Alarm bit (SSI-Option), warning bit and alarm bit (BiSS)

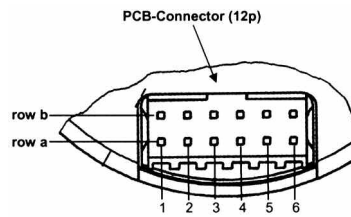
ELECTRICAL CONNECTIONS PCB connector, 12 pole

Color	PIN	Signals
grey	1a	$\overline{\text{Data}}$
white/green	2a	A +
black	3a	0 V Sensor
red/blue	4a	B +
green	5a	$\overline{\text{Clock}}$
violet	6a	5 V Sensor
white	1b	DC 5 V/ 7 - 30 V
yellow	2b	Clock
grey/pink	3b	B -
brown	4b	0 V (U _N)
brown/green	5b	A -
pink	6b	Data

TECHNICAL DATA SHEET

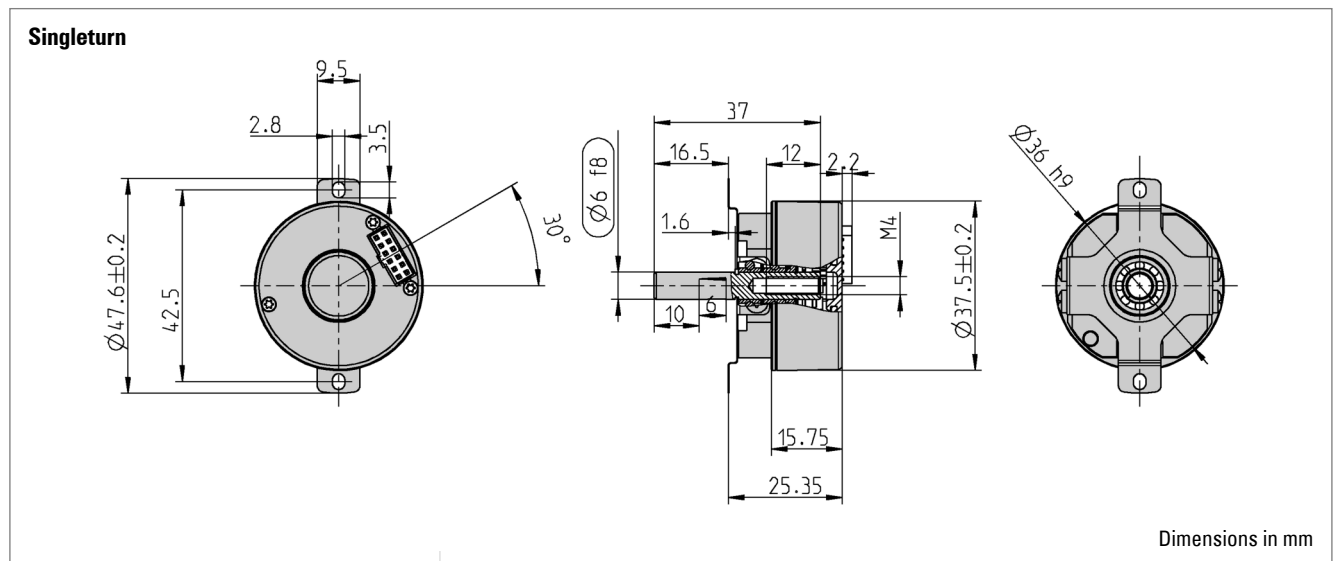
Absolute Encoder AD 34

CONNECTION ENCODER SIDE

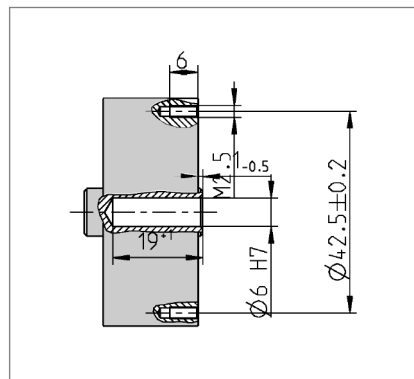


12 pin PCB connector
manufacture Berg, type Minitek

DIMENSIONED DRAWINGS



MOUNTING NECESSITIES



TECHNICAL DATA SHEET

Absolute Encoder AD 34

ORDERING INFORMATION

Type	Resolution	Supply voltage ¹	Flange, Protection, Shaft	Interface	Connection
<input type="checkbox"/>	<input type="checkbox"/>	<input type="checkbox"/>	<input type="checkbox"/>	<input type="checkbox"/>	<input type="checkbox"/>
AD34	0012 12 Bit ST 0013 13 Bit ST 0014 14 Bit ST 0017 17 Bit ST	A DC 5 V E DC 7 - 30 V	F.0C Spring tether, IP40, 6mm Notched Shaft	BI BiSS SG SSI Gray SC SSI Gray (+SinCos 1Vpp)	0 PCB connector, 12 pole B PCB connector, 12 pole, with mating connector and 0.5 m cable

¹ No inverse-polarity protection for 5 V power supply