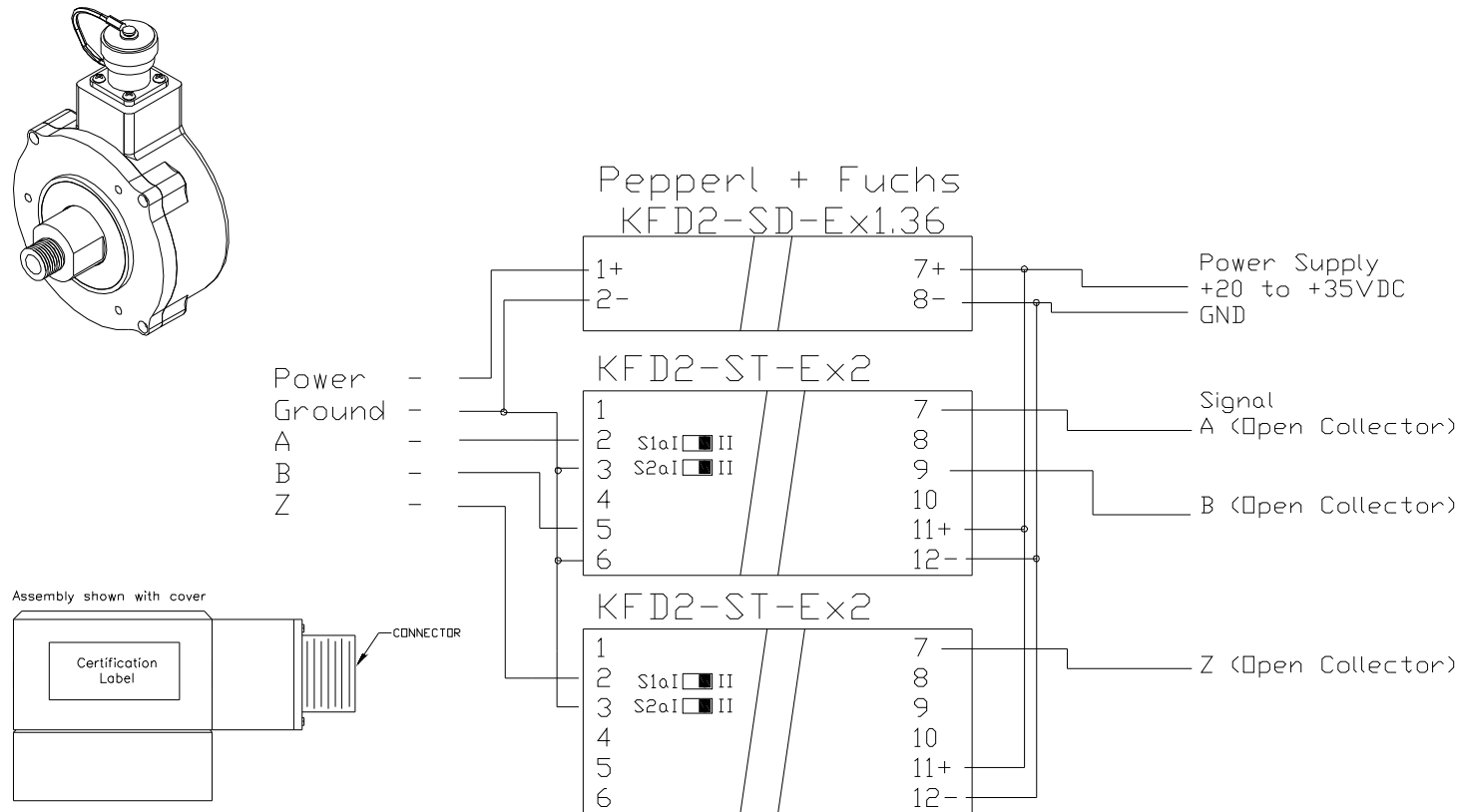
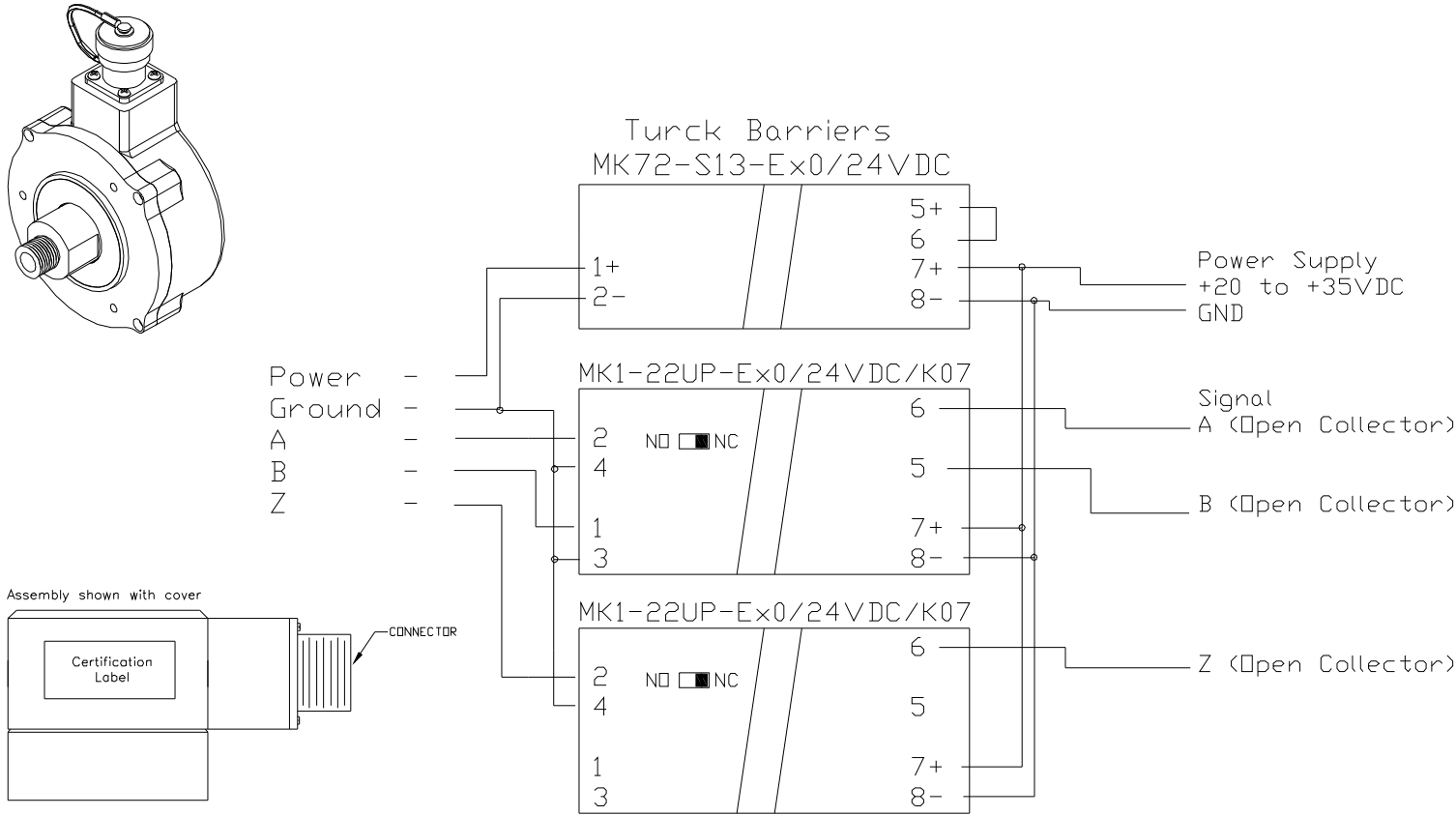


Galvanic Set-up for Open Collector Encoders Option #1



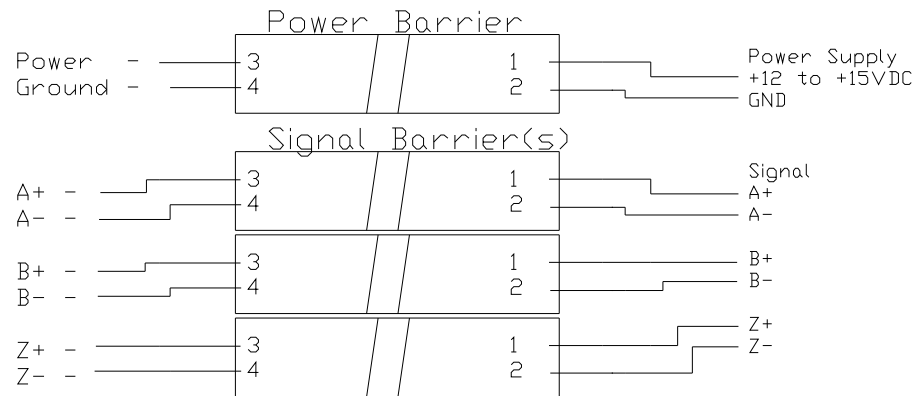
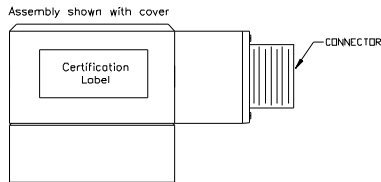
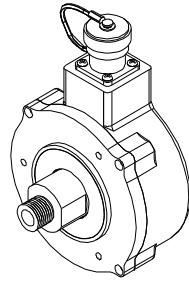
Note: The switches should be positioned in the II position for each signal channel used (Shown above).

Galvanic Set-up for Open Collector Encoders Option #2



Note: The switches should be positioned in the position shown for each signal channel used (Shown above).

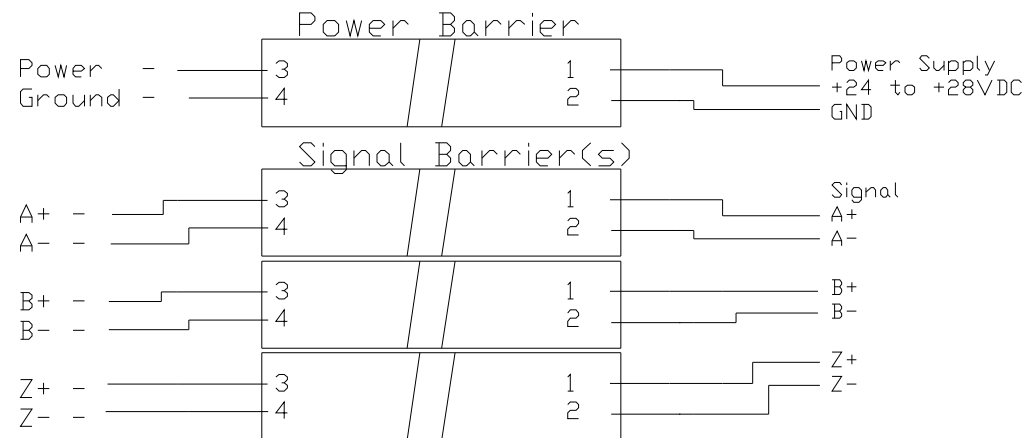
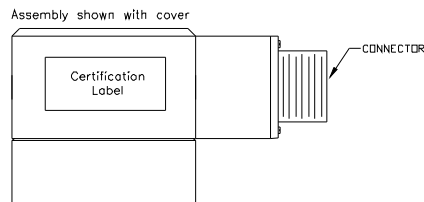
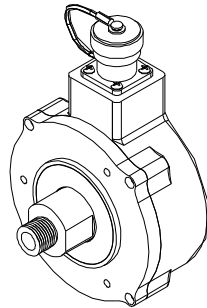
Zener Barrier Set-up for All Encoders 12V Supply



Note: The maximum configuration is shown above. Less signal barrier channels may be needed depending on the encoder selection.

Power Barrier		Signal Barrier(s)	
Manufacturer	Part#	Manufacturer	Part#
P&F - Elcon	UZ641+ / (12V, 130Ohm)	P&F - Elcon	uZ664ac
MTL	7715+/7115+ / 715+	MTL	7764+/7164+ / 764+
Stahl	9001/02-175-200-10	Stahl	9002/11-120-024-00

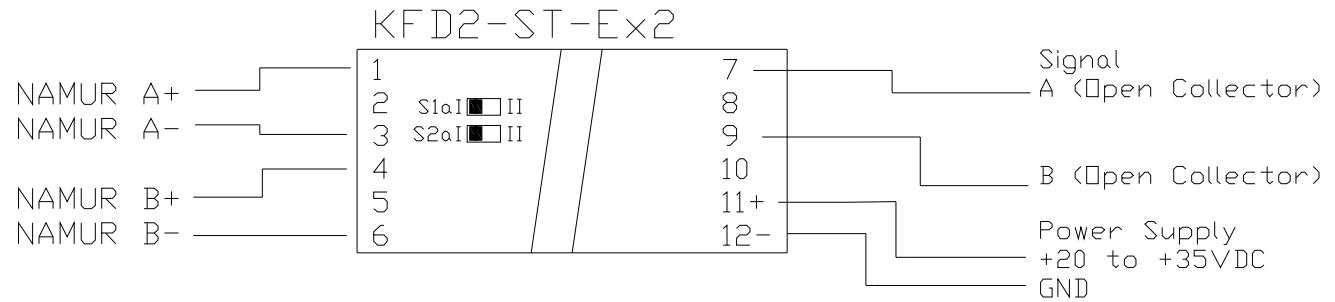
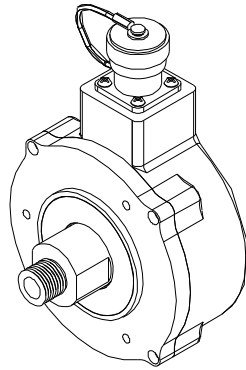
Zener Barrier Set-up for All Encoders 24V Supply



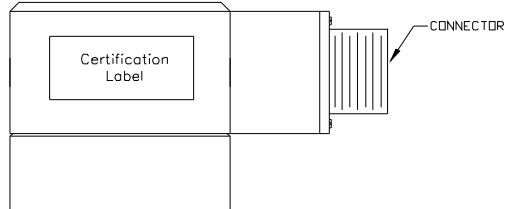
Note: The maximum configuration is shown above. Less signal barrier channels may be needed depending on the encoder selection.

Power Barrier		Signal Barrier(s)	
Manufacturer	Part#	Manufacturer	Part#
P&F - Elcon	Z728 / uZ681+	P&F - Elcon	Z764/uZ664ac
MTL	7728+/7128+ / 728+	MTL	7764+/7164+ / 764
Stahl	9001/01-280-100-10	Stahl	9002/11-120-024-00

Galvanic Set-up for NAMUR Encoders



Assembly shown with cover



Note: The switches should be positioned in the I position for each signal channel used (Shown above).